

## Preface

SL-425 cardboard box shredder is a new developed environmental products . It produce packing filler materials by using old cardboard boxes , save money on packing material and help the environment by recycling.

## 1.Model and technical data

Item No	SL-425
Feed Width	425mm
Packing Mat Grid	5×100mm
Cutter Capacity	3-7ply Boxes
Cutter Feed Height	20mm
Power Supply	380V 50HZ
Motor Power	2.2KW
Cutting Speed	12m/min
Noise Level	68.5db(A)
Net Weight	164KG
Dimension	700×680×1030mm

## 2、 Packing spareparts

Paper feed tray.....1pc

Cross screw driver.....1pc

## 2.Machine Structure ,Working theory and

## Operation

1) Working theory : The motor bring shaft of cutter move to fulfill the cutting task by chain belt and gear's transmission ,we strongly advise you to obey the operation rules to avoid the accident .

### 2) Operation

Put through the power ,turn on the switch and move clockwise to let the machine start working .Then there only ask to send the material as requested ,width with over 425mm will be cut automatically .

## 3. Attentions & Troubleshooting

### 3.1. Attentions

3.1.1 The operator should wear the gloves when working .

3.1.2 Never let the hands enter cutter feed inlet.

3.1.3.People who wear long hair, dress , necktie and shawl do not allowed to be near the machine in working .

3.1.4 The materials with adhesive and can be changed to linear not allowed for the machine .

3.1.5.Never let the hard materials like packing nail enter cutter feed inlet ,in case it hurt the cutter .

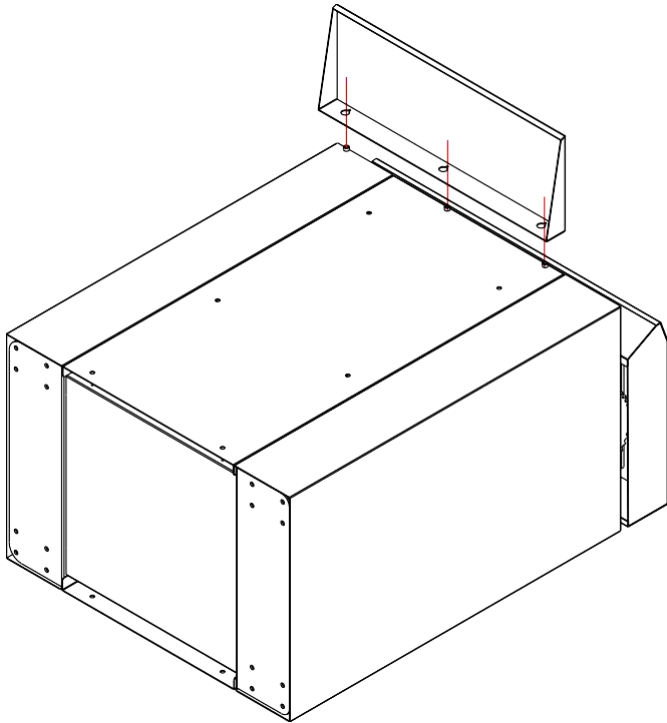
### 3.2 Troubleshooting

3.2.1. Machine blocked : Turn the main switch anticlockwise ,machine will reverse ,then take the blocked materials out .

3.2.2. The machine can not turn on : Please check if the power circuit is well connected , Plug in good or not , and switch turn on ?

3.2.3. After working period of time, the speed obviously become slowly and noise louder than before , please turn off the machine immediately ,pull out the plug ,then check lubrication system and motor heated because of overloading ,if so there need by adding the lubricate and cool the motor to solve it .

#### 4、 Installation of paper feed tray



1) Install the paper feed tray onto the machine by buckling the three screws, and fasten the screws by screw driver so that the feed tray is fastened.

### Cardboard Box Shredder

